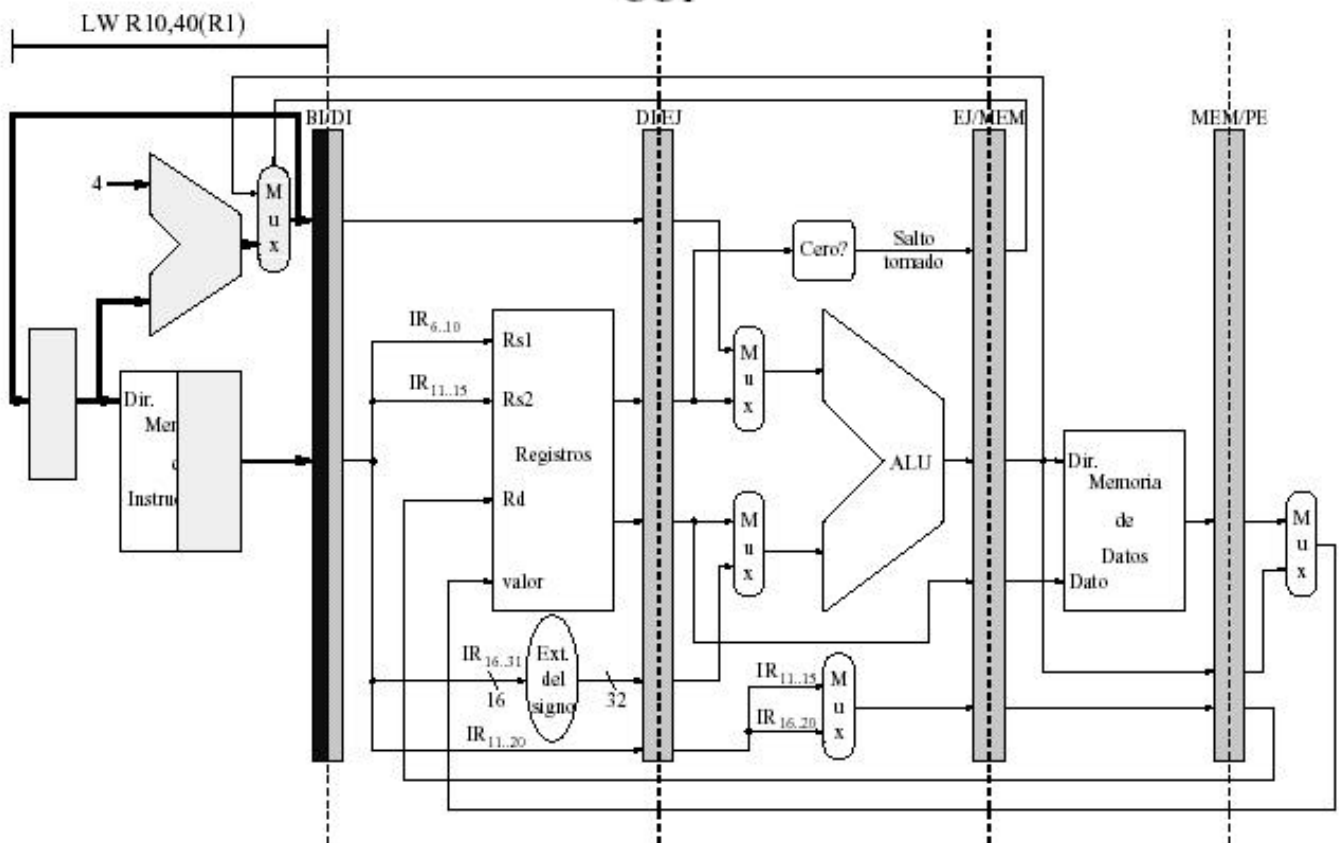


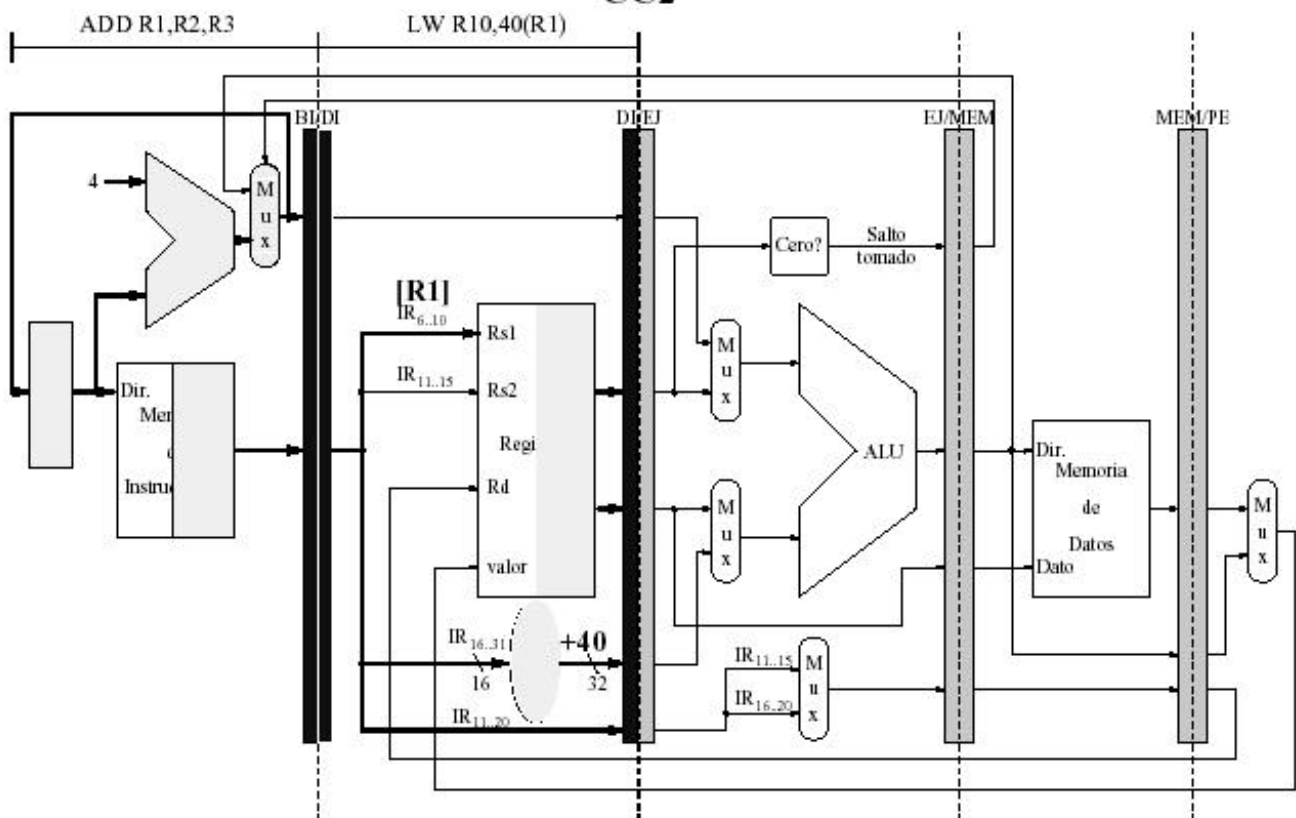
```

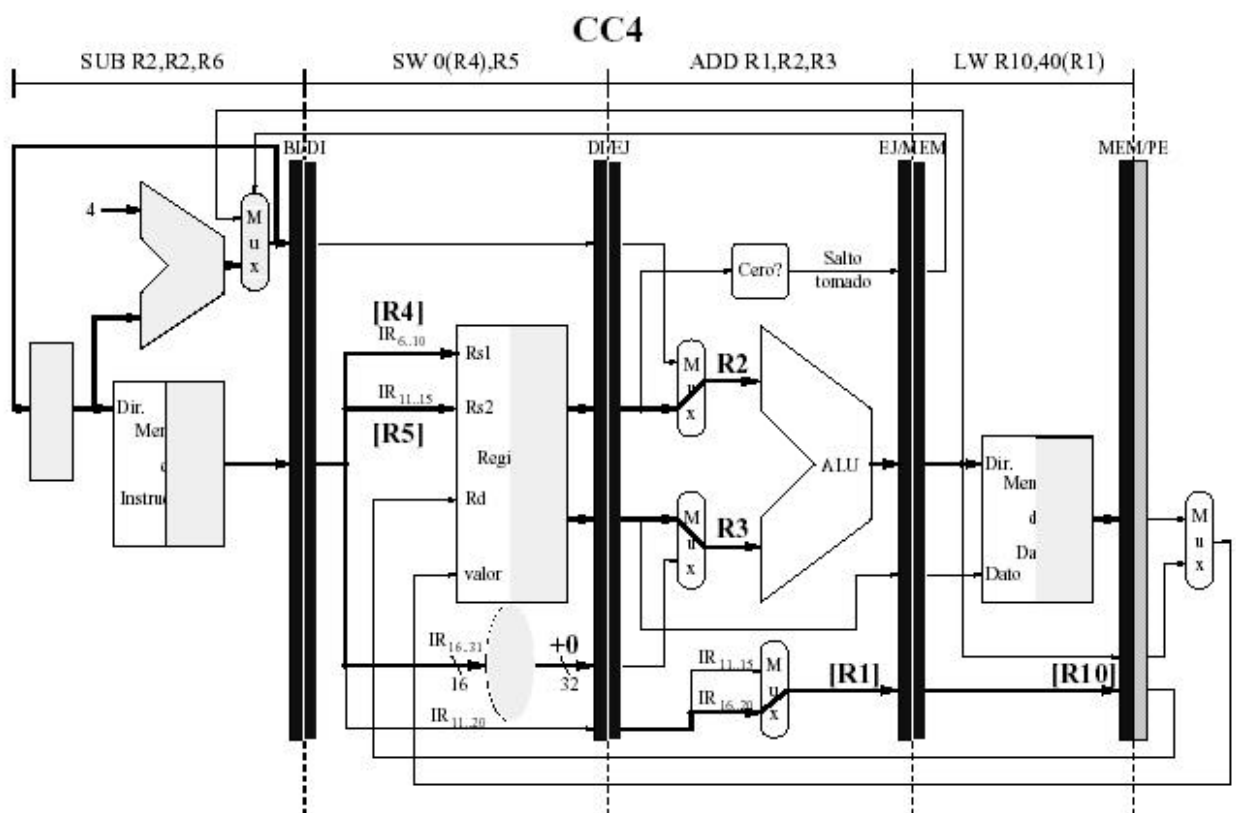
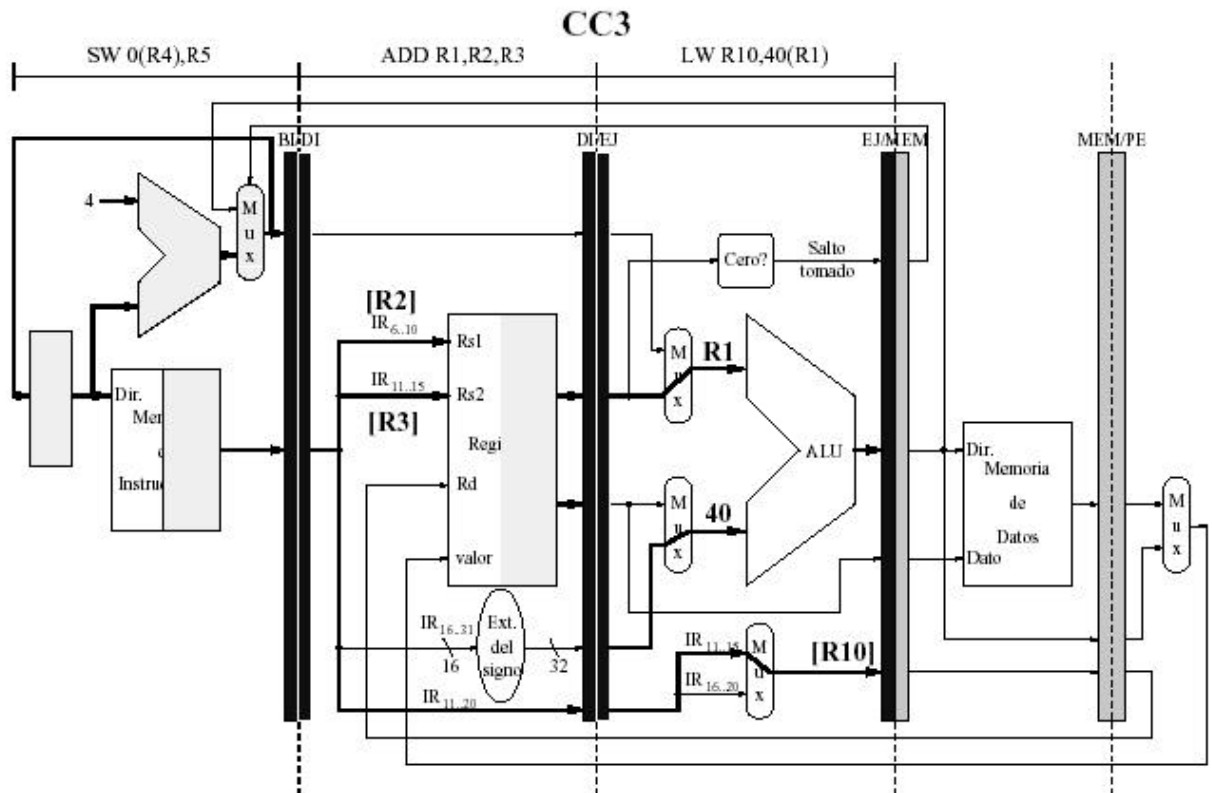
dest: LW    R10,40(R1)
        ADD  R1,R2,R3
        SW   0(R4),R5
        SUB  R2,R2,R6
        BEQ  R1,dest
        SW   40(R1),R10
  
```

CC1

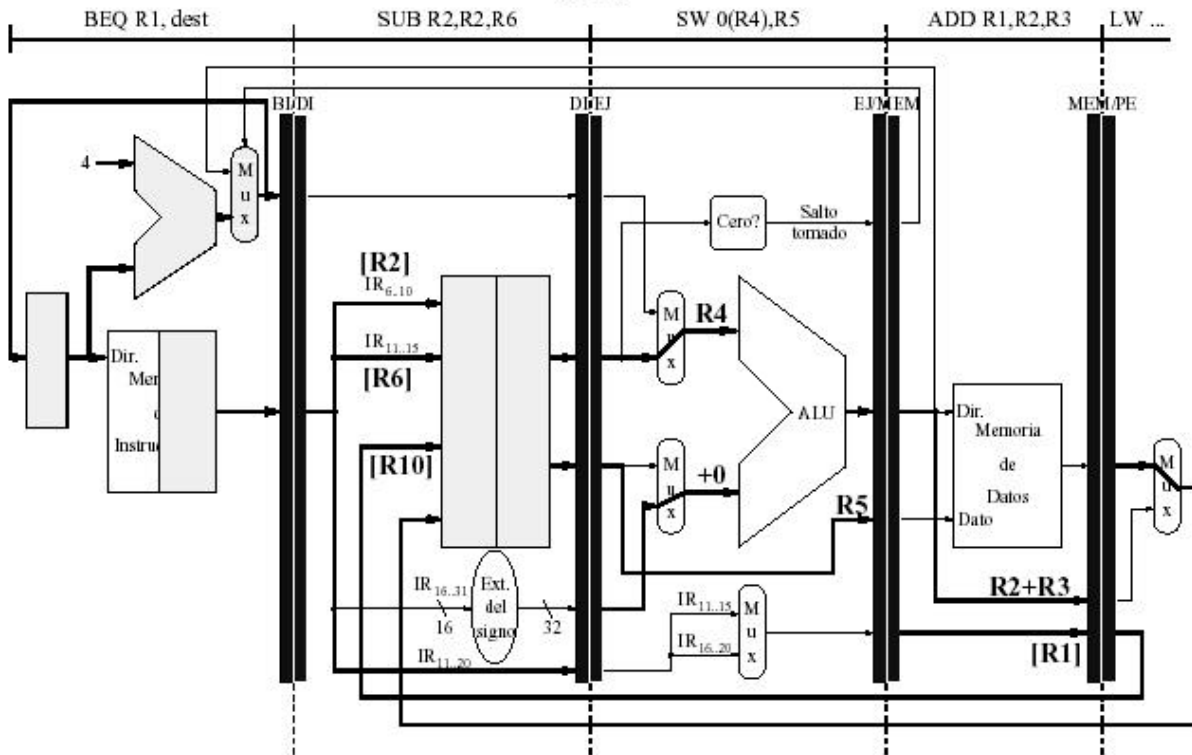


CC2

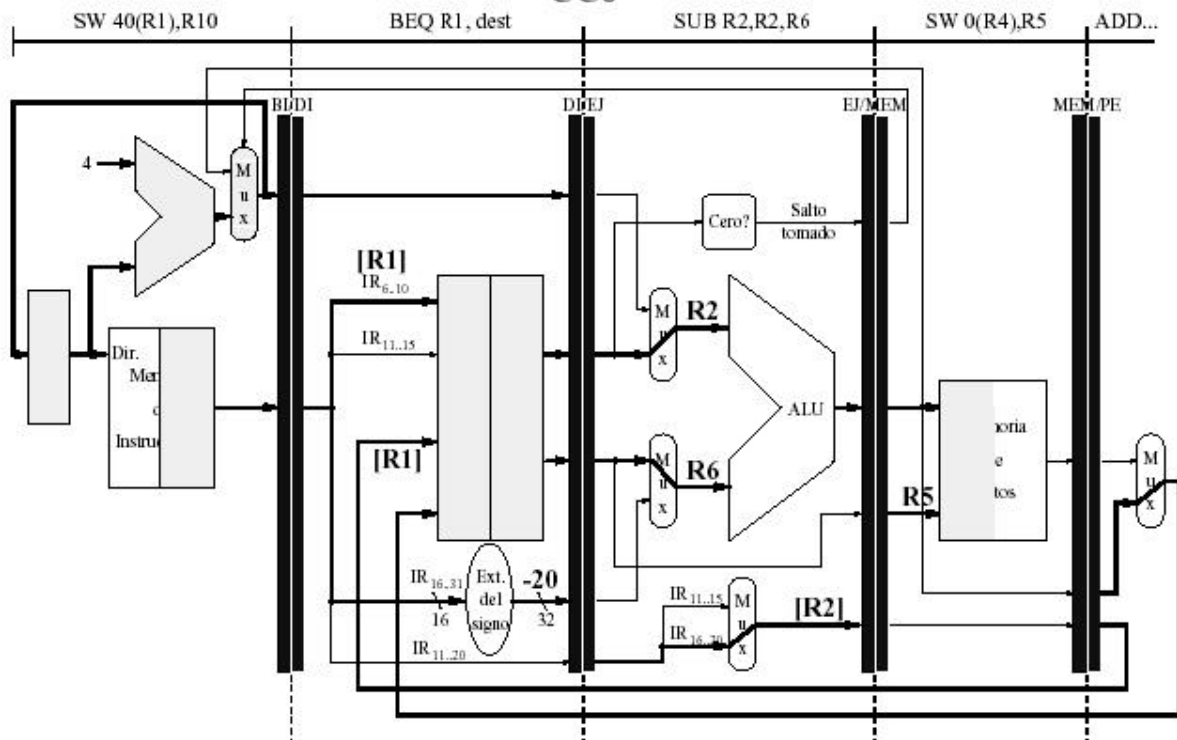


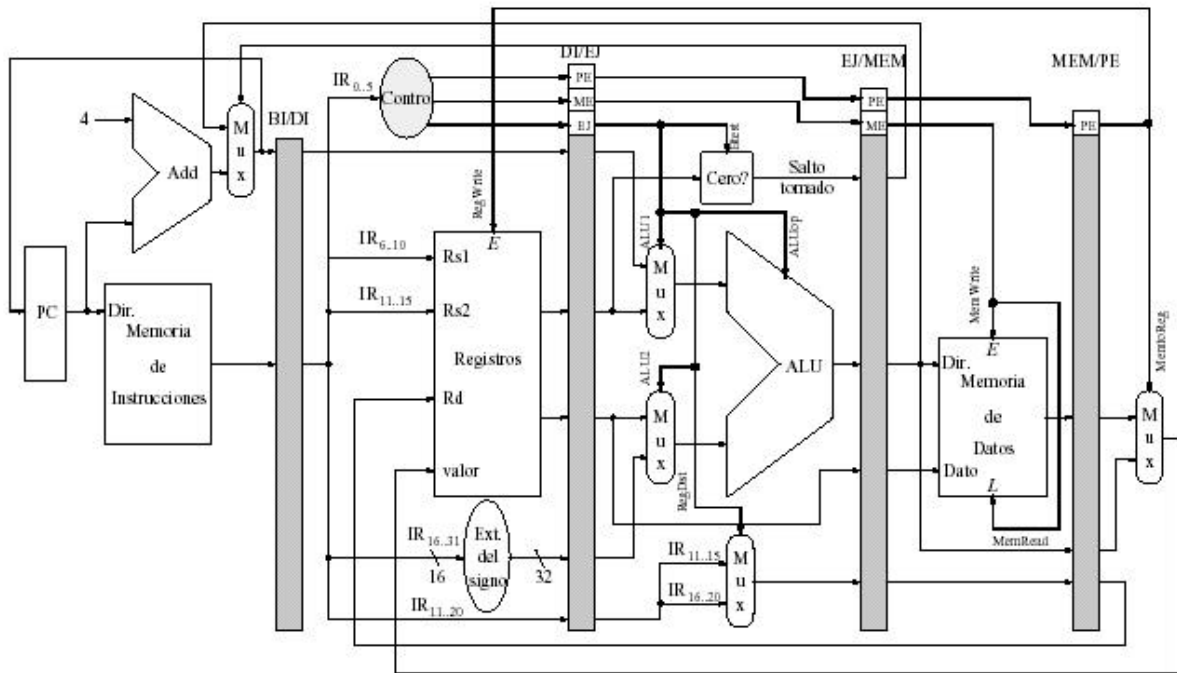


CC5

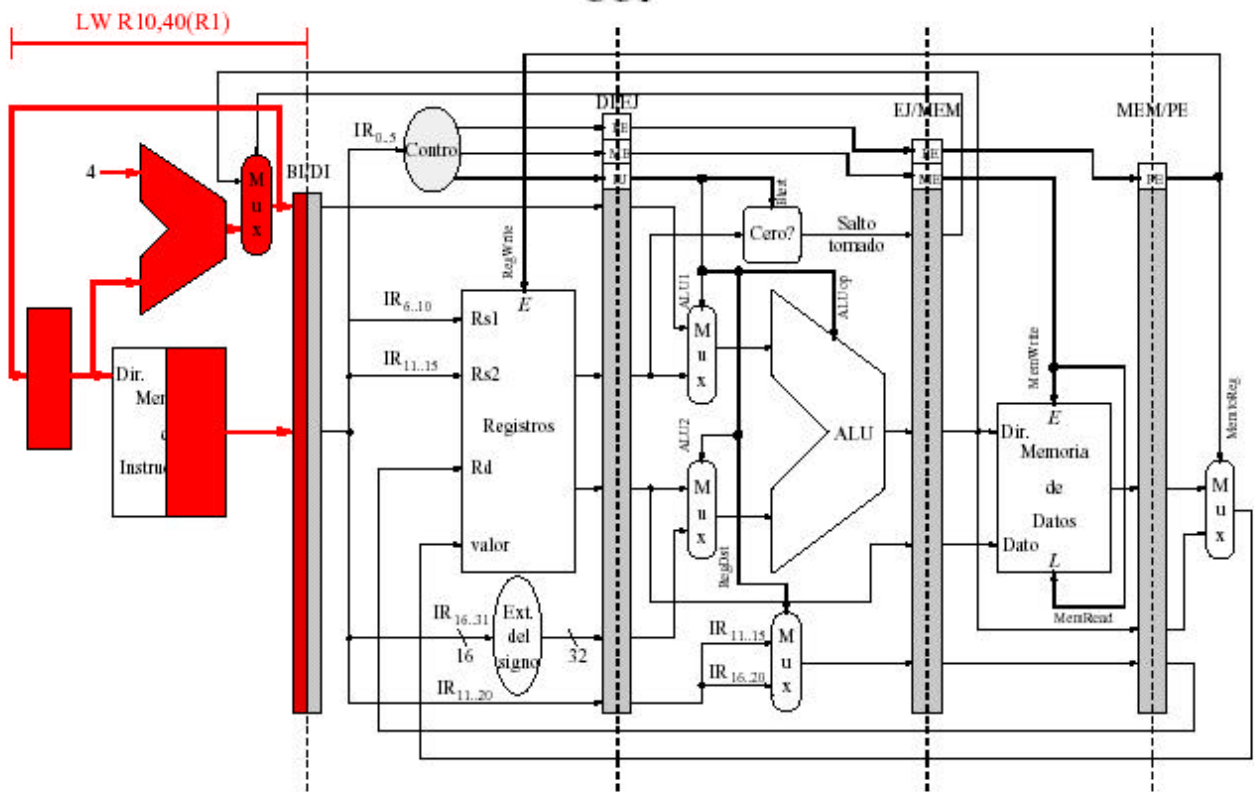


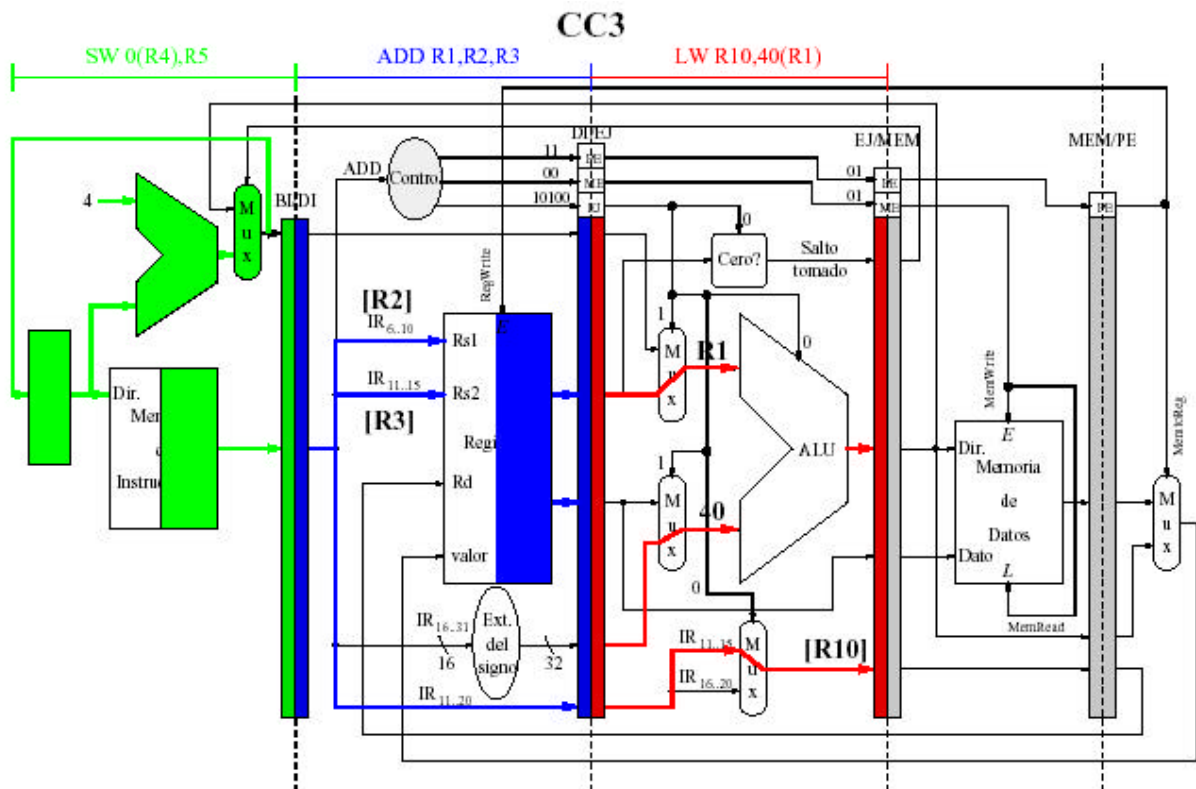
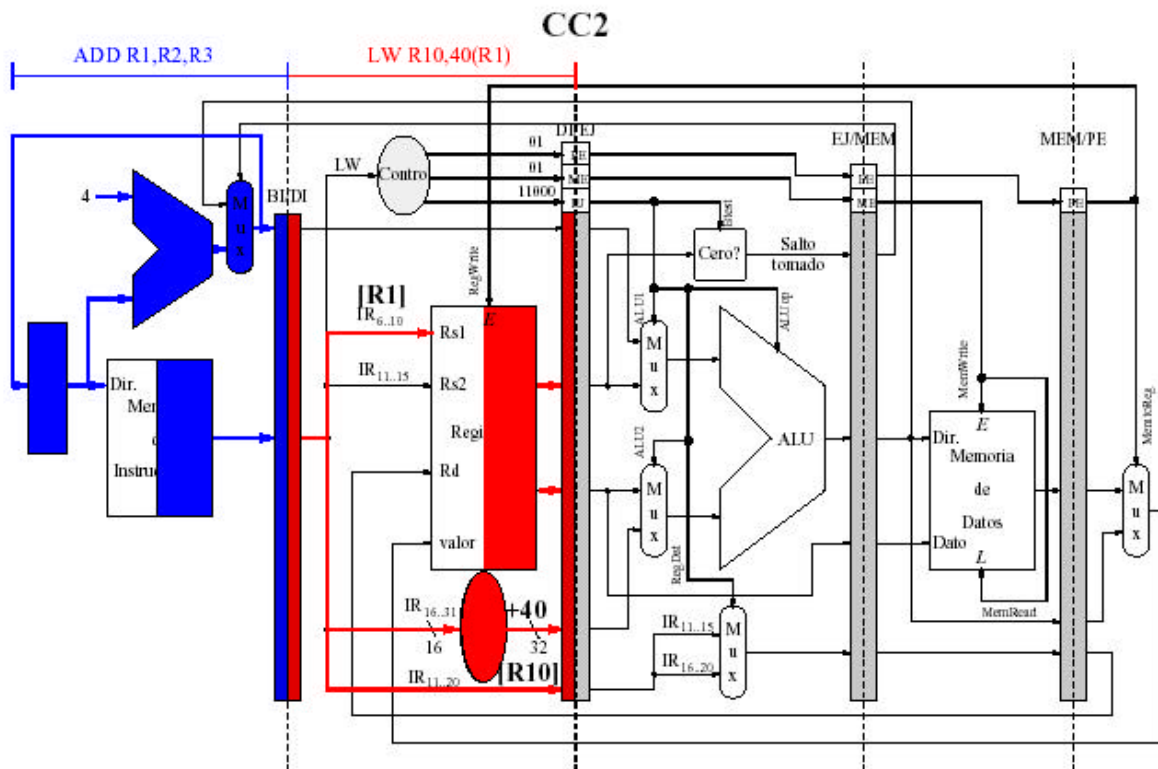
CC6

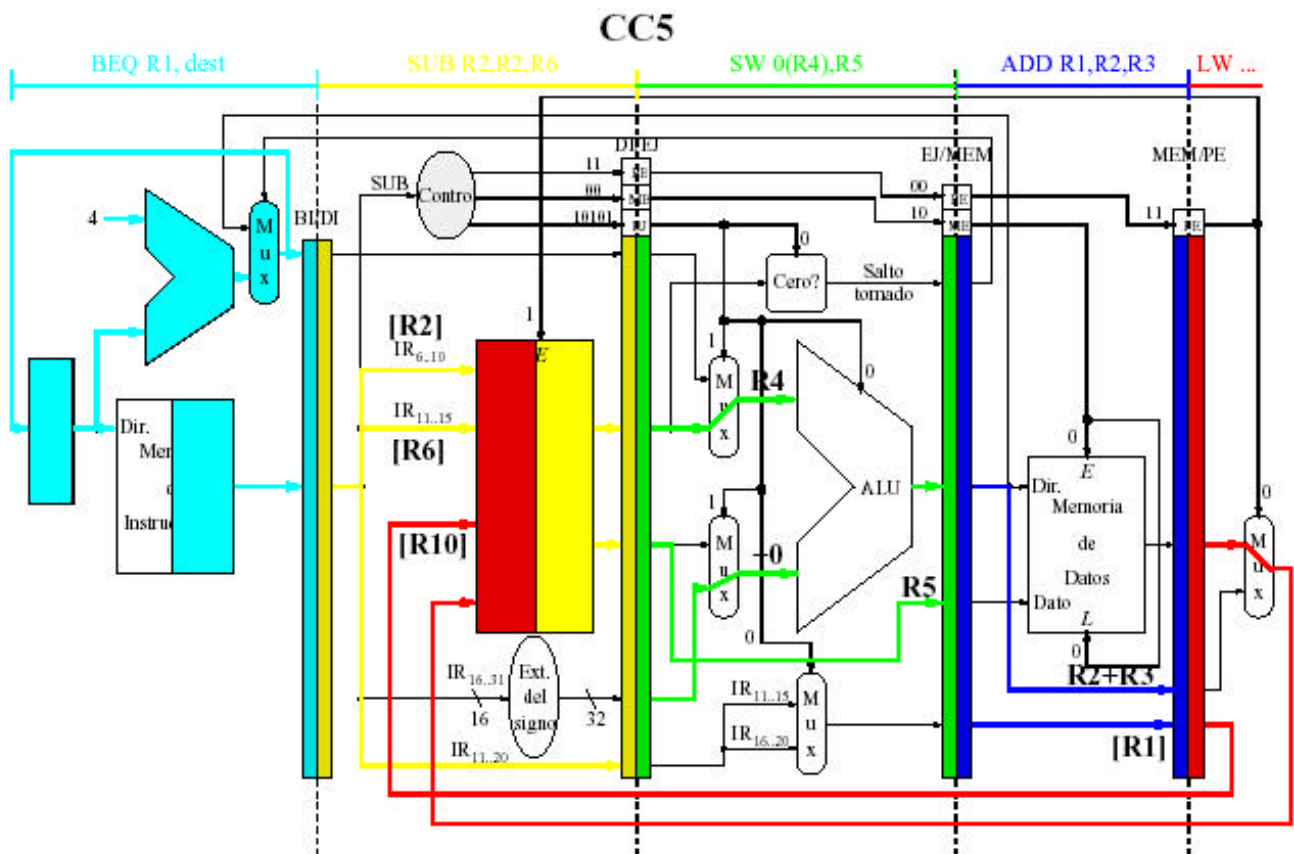
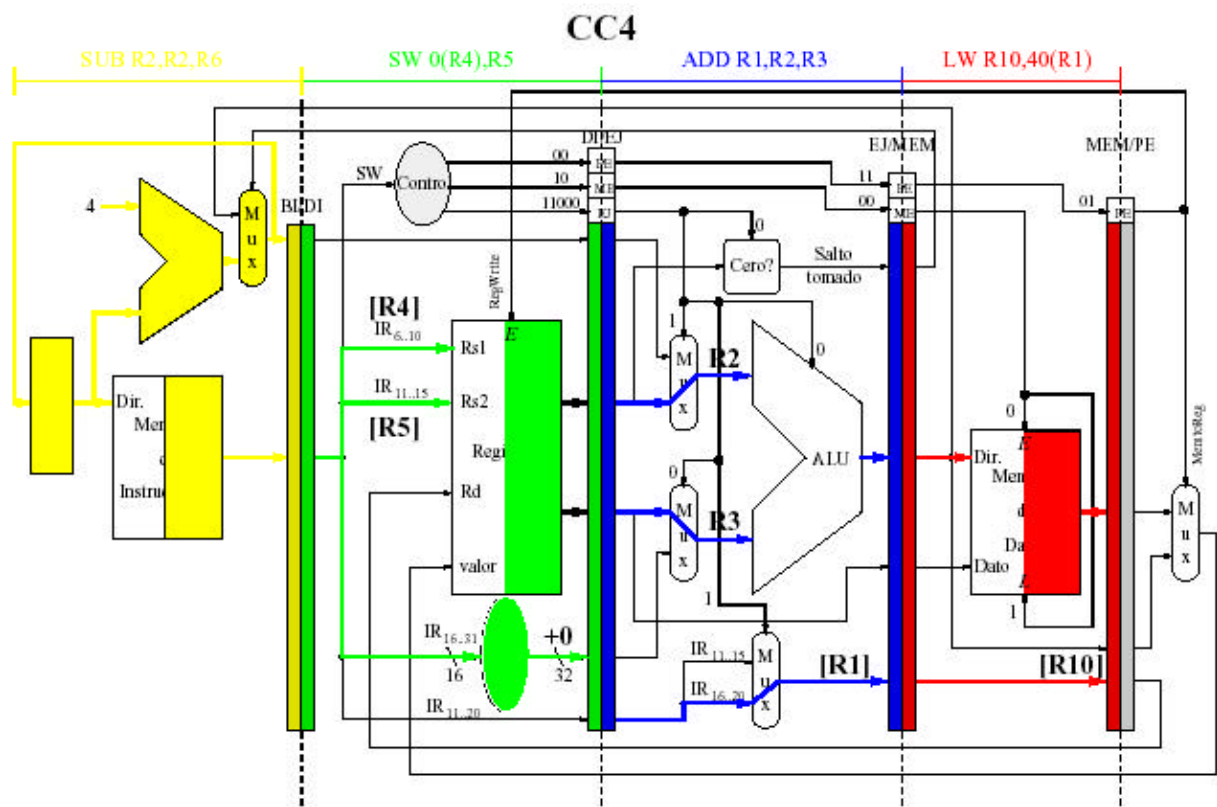




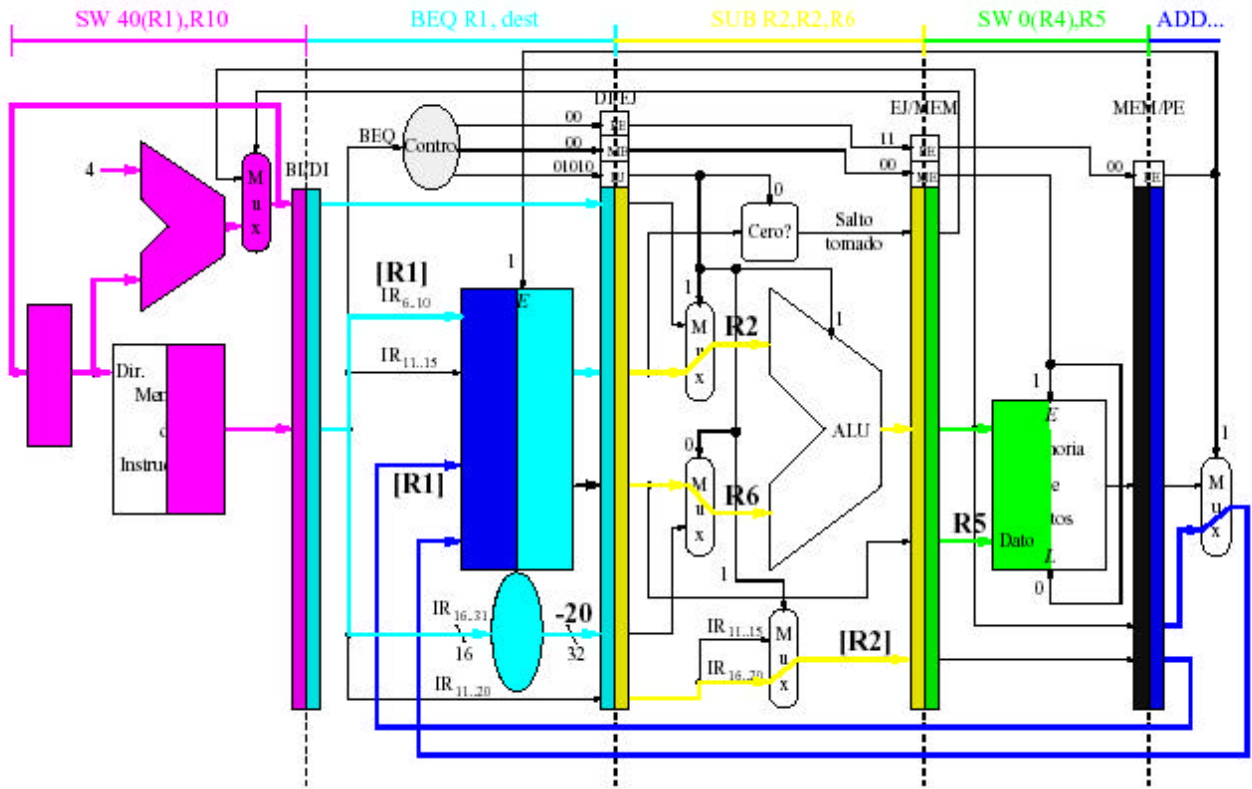
CC1

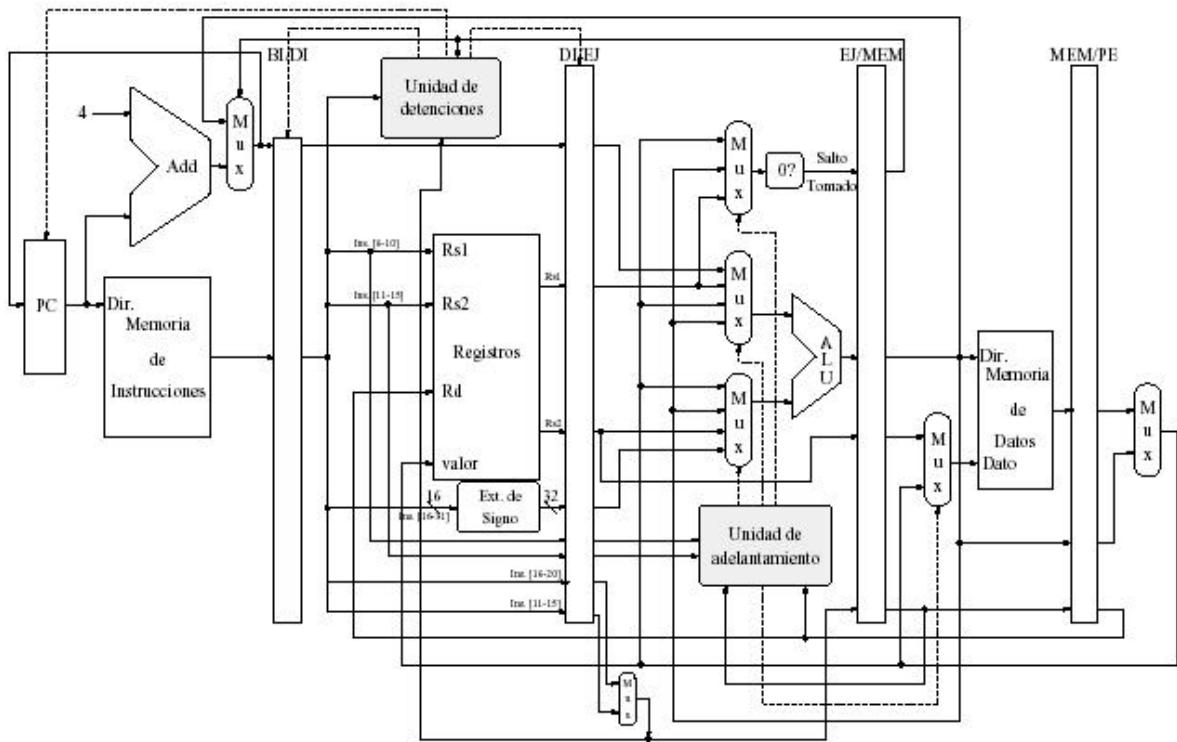






CC6





CC3

